

Hall Flowmeter

Determines flow rate and apparent density of free-flowing metal powders and other powders, and apparent density of non-free-flowing materials

In use all over the world, the Hall Flowmeter has been covered by ASTM and MPIF Standards since 1945. This unique instrument was invented by E.J. Hall, the founder of the company which has become ACuPowder. It determines the flow characteristics and apparent density of free-flowing powdered metals (and other finely divided solids) of various particle size distributions.

By interchanging the standard Hall Flowmeter Funnel with the Carney Funnel, the instrument can

be adapted to determine the apparent density of non-free-flowing materials (but not their flow rates).

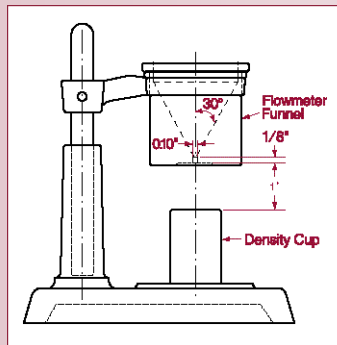
The Hall Flowmeter comes with a supply of standardized calibrating powder (emery grit) for periodic checking of accuracy. The funnel will give long years of service with steady usage. When accuracy of the funnel goes beyond permitted tolerances, replacement funnels can be purchased.

Hall Flowmeter

For free-flowing metal powders and other finely divided solids

Determines flow rate as per:
ASTM B 213
MPIF No. 3
ISO No. 4490

Determines apparent density as per:
ASTM B 212
MPIF No. 4
ISO No. 3923/1



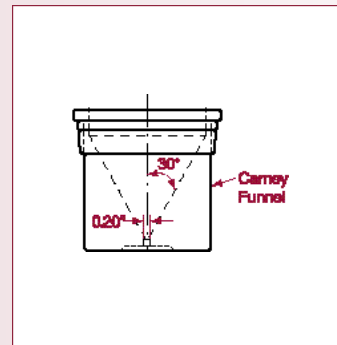
Complete instrument includes:

- Standard Hall Flowmeter Funnel with 0.1 inch (2.5 mm) diameter calibrated orifice
- Brass stand with pivoting ring arm holder
- Brass density cup, 25 cm³ capacity
- Standardized emery grit (70 g) used for periodic checking of calibration accuracy

Carney Funnel

For non free-flowing materials (i.e., metal powders and other substances that do not flow freely through the standard Hall Flowmeter Funnel)

Determines apparent density as per:
ASTM B 417
MPIF No. 28
ISO No. 3923/1



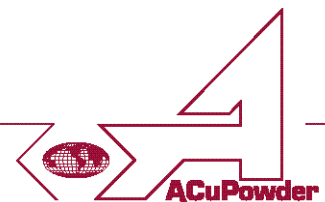
Complete instrument includes:

- Carney Funnel with 0.2 inch (5 mm) diameter orifice
- Brass stand with pivoting ring arm holder
- Brass density cup, 25 cm³ capacity
(No standardized emery grit is supplied with the Carney Funnel since it does not have a flow-calibrated orifice)
- The Carney Funnel can be easily interchanged with the Hall Flowmeter Funnel when necessary, thus only one complete stand and density cup are usually required

*From industry pioneer to industry leader,
we are innovation in motion*

ACuPowder International, LLC

901 Lehigh Avenue, Union, NJ 07083 USA
Phone: (908) 851-4500 X590 Fax: (908) 851-4597



We have been part of your lives for over 80 years