

Hall Flowmeter

Determines flow rate and apparent density of free-flowing metal powders and other powders, and apparent density of non-free-flowing materials.

In use all over the world, the Hall Flowmeter has been covered by ASTM and MPIF Standards since 1945. This unique instrument was invented by E.J. Hall, the founder of the company which has become **ACuPowder**. It determines the flow characteristics and apparent density of free-flowing powdered metals (and other finely divided solids) of various particle size distributions. By interchanging the standard Hall Flowmeter Funnel with the Carney Funnel, the instrument can be adapted to determine the apparent density of non-free-flowing materials (but not their flow rates). The Hall Flowmeter comes with a supply of standardized calibrating powder (emery grit) for periodic checking of accuracy. The funnel will give long years of service with steady usage. When the accuracy of the funnel goes beyond permitted tolerances, replacement funnels can be purchased.

Hall Flowmeter

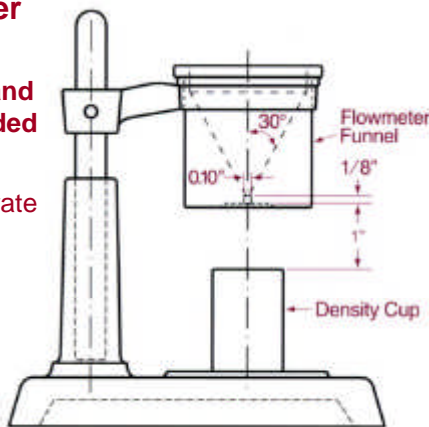
For free-flowing metal powders and other finely divided solids.

Determines flow rate as per:

ASTM B 213

MPIF No. 4

ISO No. 3923/1



Complete Instrument Includes:

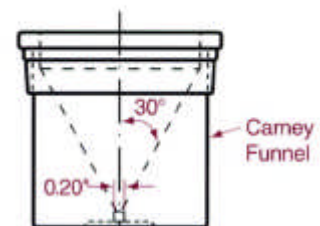
- Standard Hall Flowmeter Funnel with 0.1 inch (2.5 mm) diameter calibrated orifice
- Brass Stand with pivoting ring arm holder
- Brass Density Cup, 25 cc capacity
- Standardized emery grit (70gm) used for periodic checking of calibration accuracy

Carney Funnel

For Non Free-Flowing materials (i.e. metal powders and other substances that do not flow through the standard Hall Flowmeter Funnel)

Determines apparent density as per:

ASTM B 417, MPIF No. 28, ISO No. 3923/1



Complete Instrument Includes:

- Carney Funnel with 0.2 inch (5mm) diameter orifice
- Brass Stand with pivoting ring arm holder
- Brass Density Cup, 25cc capacity
- The Carney Funnel can be interchanged with the Hall Funnel when necessary, thus only one complete stand and density cup are usually required
- No emery grit is supplied, not calibrated for flow

The information contained herein is presented as a guide for your investigation and verification. Products mentioned are sold without warranty, expressed or implied, that the goods shall be fit for any particular purpose of or use by the purchaser. Purchasers must conduct their own tests to determine the suitability for their intended purpose. We assume no liability for infringement of any patent resulting from the application of this information. By reason of lack of knowledge as to specific uses, no representation or warranty is made regarding the safety of these products or materials under the Federal Food, Drug and Cosmetics Act.

ISO 9001

*From industry pioneer to industry leader,
We are innovation in motion*

ISO 14001

ACuPowder International, LLC

901 Lehigh Avenue, Union NJ 07083 USA
Phone: (908) 851-4500 X590 Customer Service.
X521 Technical Service
Fax: (908) 851-4597

ACuPowder

www.acupowder.com

ACuPowder TN, LLC

6621 Highway 411 S, Greenback, TN 37742
Phone: (865) 856-3021 x112
Fax: (865) 856-3083

We have been part of your lives for over 90 years